



The 1TS/1US/1VS caps for the Multimec 5G switch series are optimised with a “snap-on” system to ensure the cap to stay on the switch actuator even under heavy vibrations and similar scenarios.

The caps have a soft line shape and are rounded on top giving a good “feel” to the operator. The product line comprises of three different shapes that can be used to create patterns such as columns, keypads and navigators.

The 1TS/1US/1VS caps in forsted white have a full or legend illumination option. Legend illumination is created with full paint and laser-marking or pad printing. The 5G switch series provides through-hole and SMD versions with three different actuation force possibilities: 2.0, 3.5 and 6.5 N.

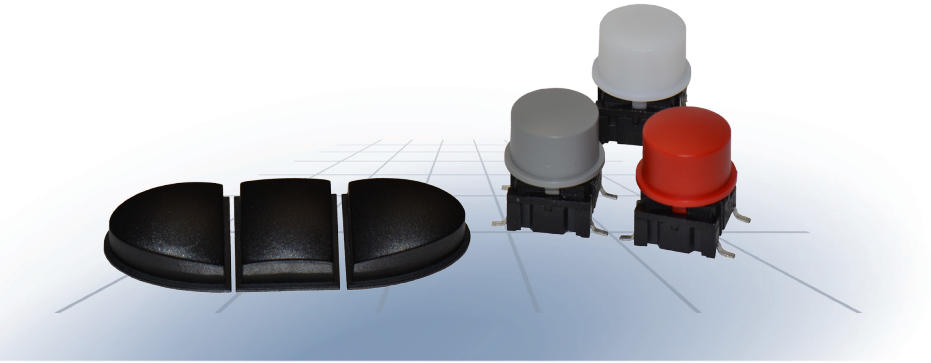


*Legends on the picture are not standard

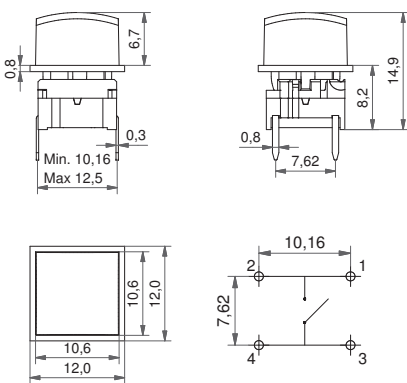
Distributor:

Technical Data:

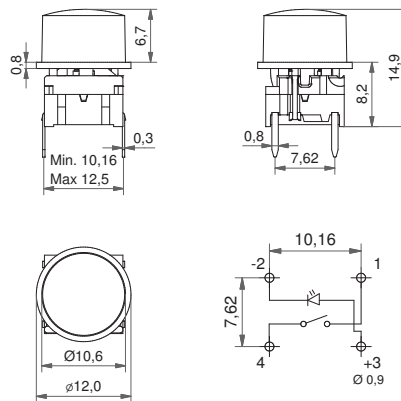
- through-hole or SMD
- 50mA/24VDC
- single pole/momentary
- 10.000.000 operations lifetime
- IP67 sealing
- temperature range:
LED: -30/+85°C
high temp: -40/+160°C
keycap: -40/+85°C
- actuation force: 2.0, 3.5, 6.5 N



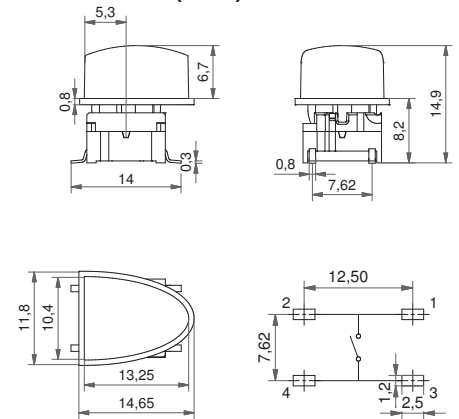
Dimensions (through-hole) + 1TS



Dimensions (TH w/LED) + 1US



Dimensions (SMD) + 1VS



HOW TO ORDER illuminated

5 G				+		
Switch	Mounting	Actuation force	LED		Cap	Colour code
	TH9 through-hole	20	01 blue		1TS	16 frosted white
	SH9 surface mount	35	22 green		1US	
		65	42 yellow		1VS	
		Q*	61 white			
			82 red			
			2242 green/yellow			
			8222 red/green			

HOW TO ORDER non-illuminated

5 G			+		
Switch	Mounting	Actuation force		Cap	Colour code
	TH9 through-hole	20		1TS	00 blue
	SH9 surface mount	35		1US	03 grey
		65		1VS	08 red
		Q*			09 black

*Only available for actuation force 2.0N (20) and the letter Q is added to the end of the switch part number. See the ordering example.
Dimensions (mm) Unless otherwise specified, all tolerances +/- 0,2

Ordering example: 5GTH935+1TS08 without illumination
5GSH92001+1US16 with illumination
*5GSH92022Q or 5GTH920Q (quiet version)

See colour codes on our website: www.mec.dk

For updates of products and/or changes of specifications please see www.mec.dk