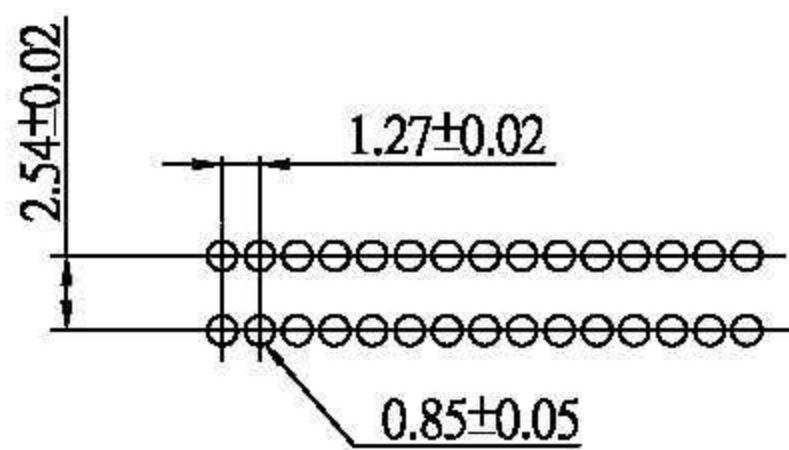
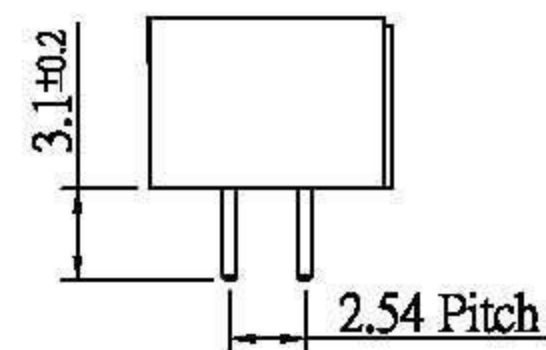
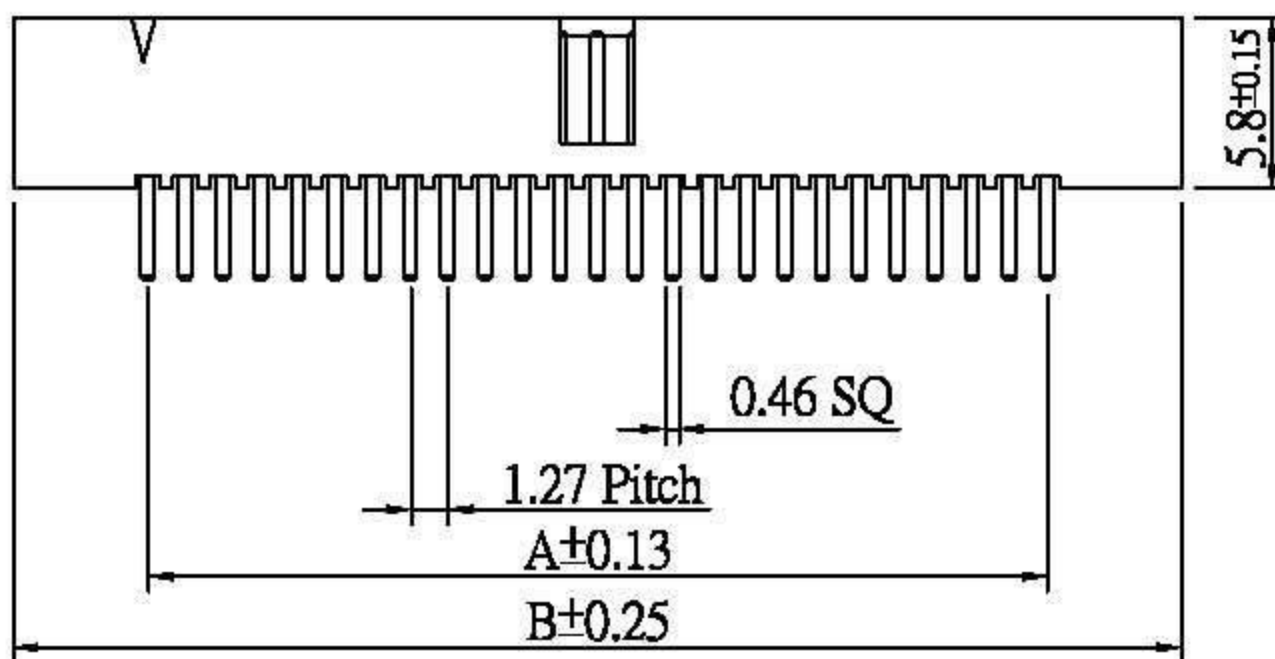
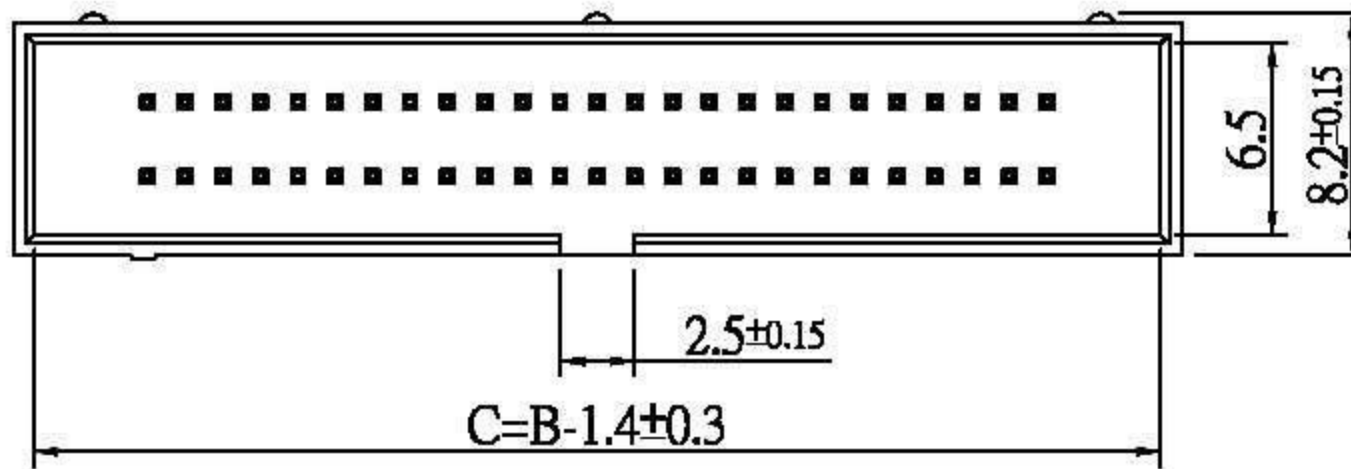
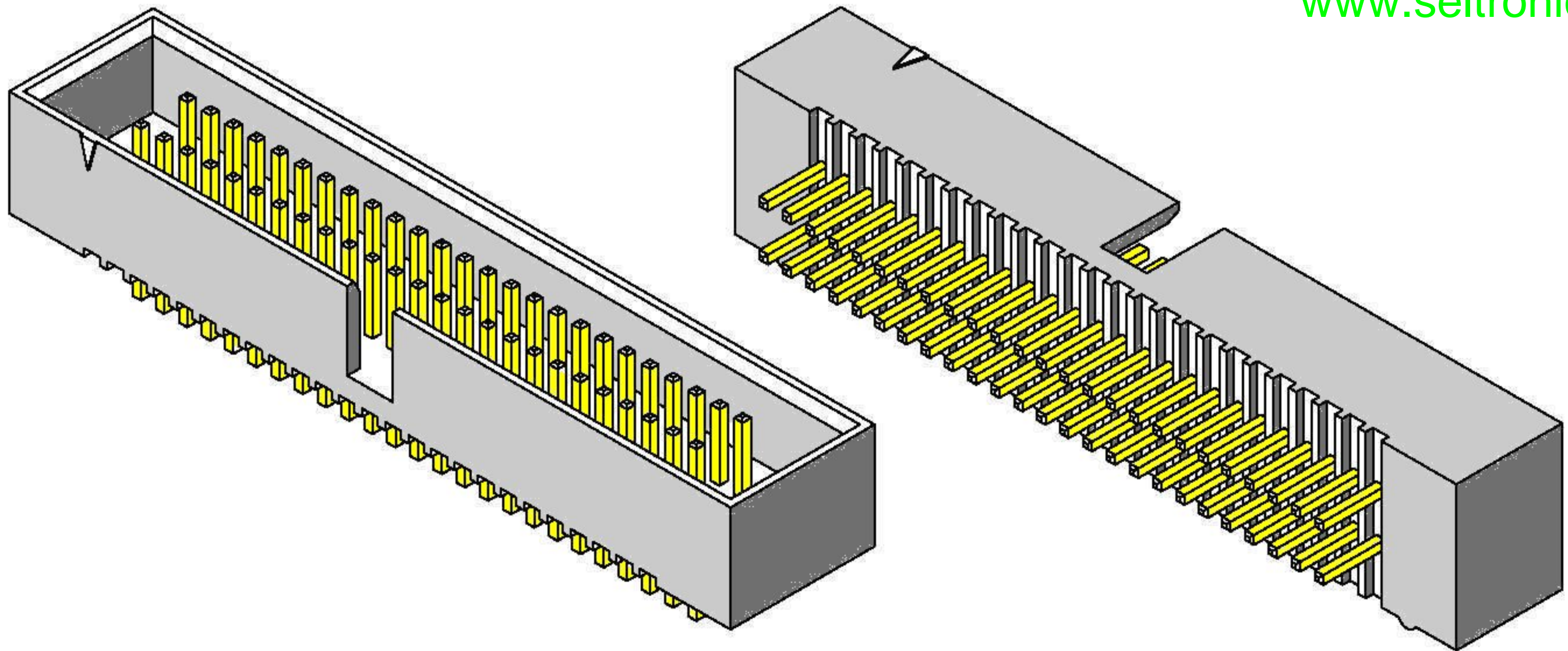


Serie: DC651...

1.27-2.54 Pitch Box Header Straight



www.seltronics.de



P.C.Board Layout

Contact:

Contact: Brass.

Insulator: Nylon 6T.

Finish: Gold flash plated over nickel.

Circuits	Dimension	
	A	B
08	3.81	13.10
10	5.08	14.37
20	11.43	20.72
26	15.24	24.53
30	17.78	27.07
34	20.32	29.61
40	24.13	33.42
44	26.67	35.96
50	30.48	39.77
60	36.83	46.12
68	41.91	51.20
80	49.53	58.82
100	62.23	71.52