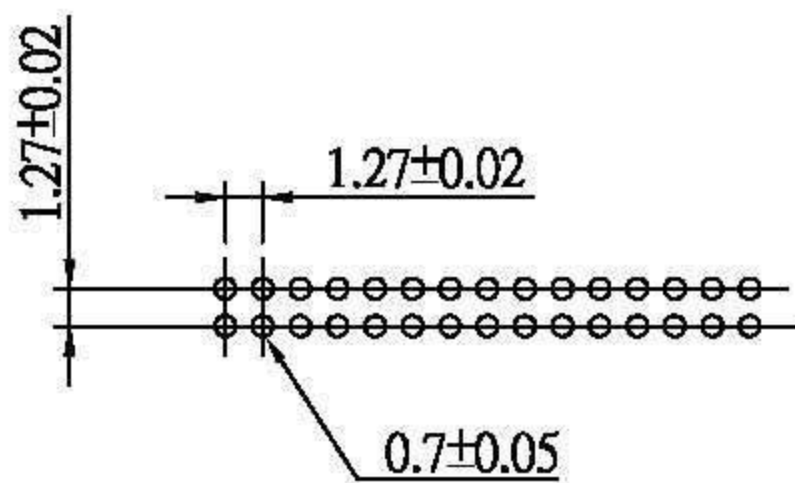
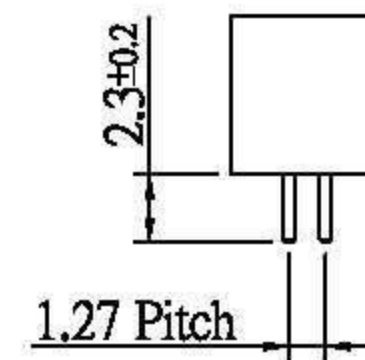
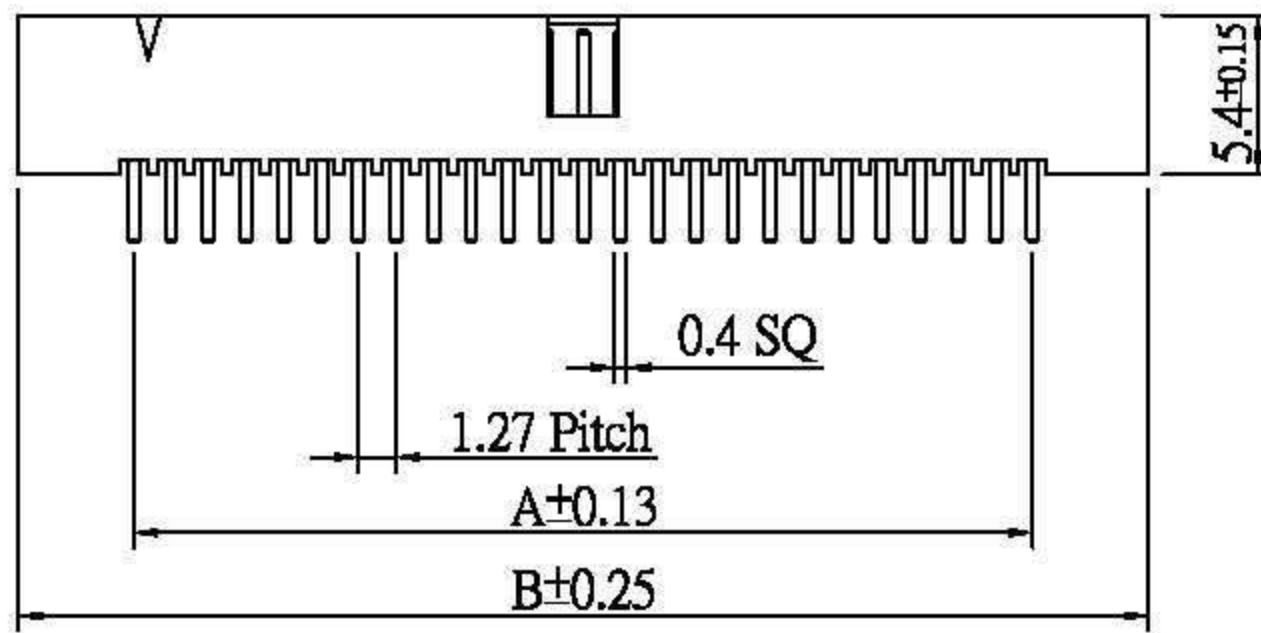
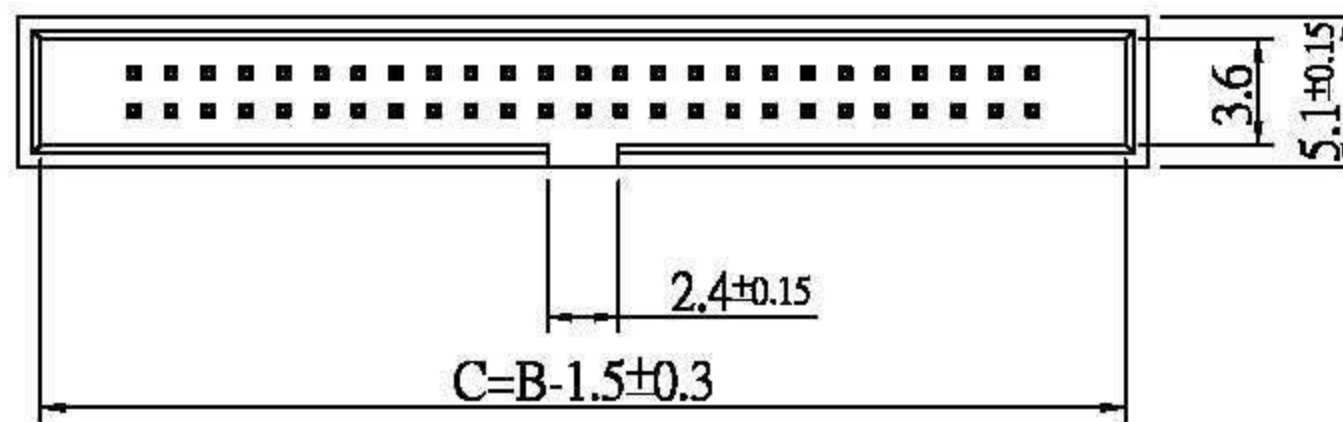
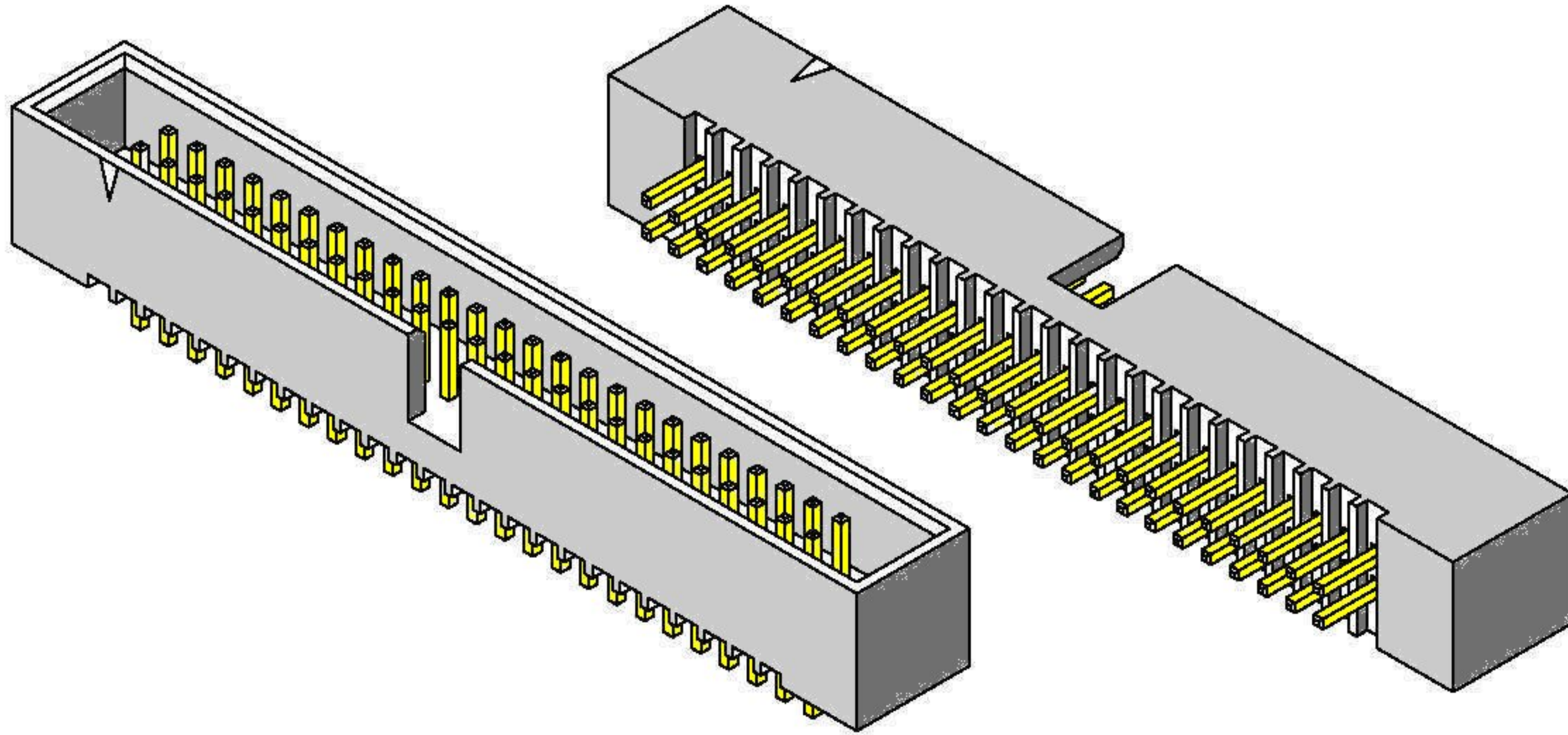


Serie: DC631...

1.27-1.27 Pitch Box Header Straight



www.seltronics.de



P.C.Board Layout

Circuits	Dimension	
	A	B
6	2.54	10.11
8	3.81	11.38
10	5.08	12.65
12	6.35	13.92
14	7.62	15.19
16	8.89	16.46
20	11.43	19.00
24	13.97	21.54
26	15.24	22.81
30	17.78	25.35
34	20.32	27.89
40	24.13	31.70
44	26.67	34.24
50	30.48	38.05
60	36.83	44.40
64	39.37	46.94
68	41.91	49.48
80	49.53	57.10
100	62.23	68.90

Contact:

Contact:Brass.

Insulator:LCP.

Finish:Gold flash plated over nickel.