

FPC/FFC Connectors

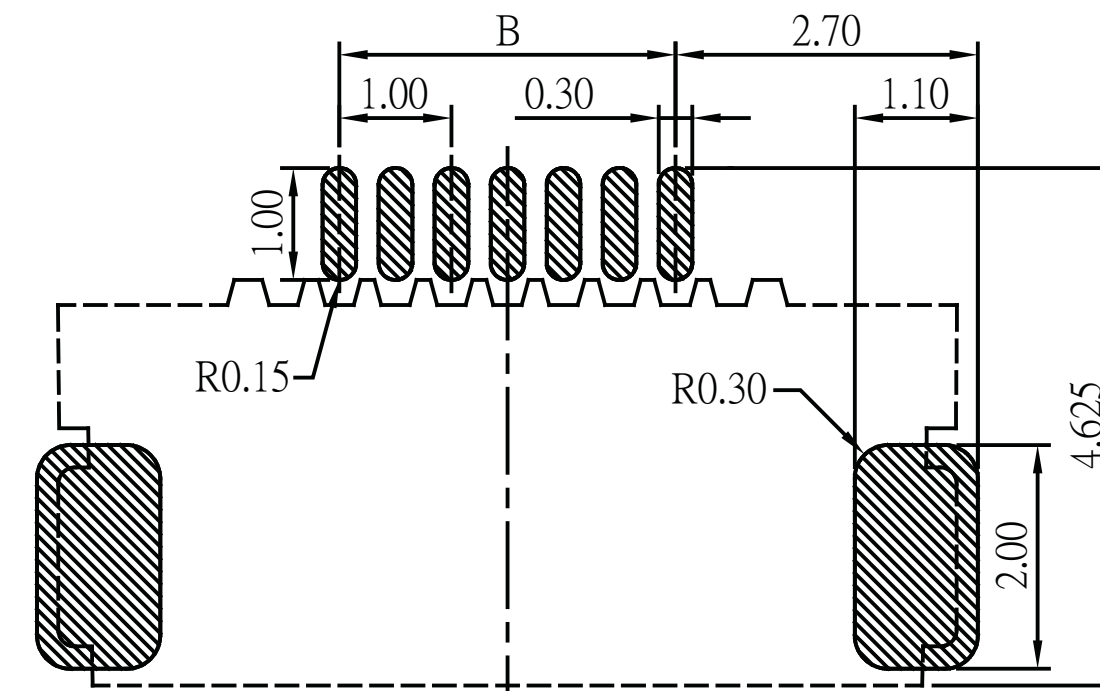
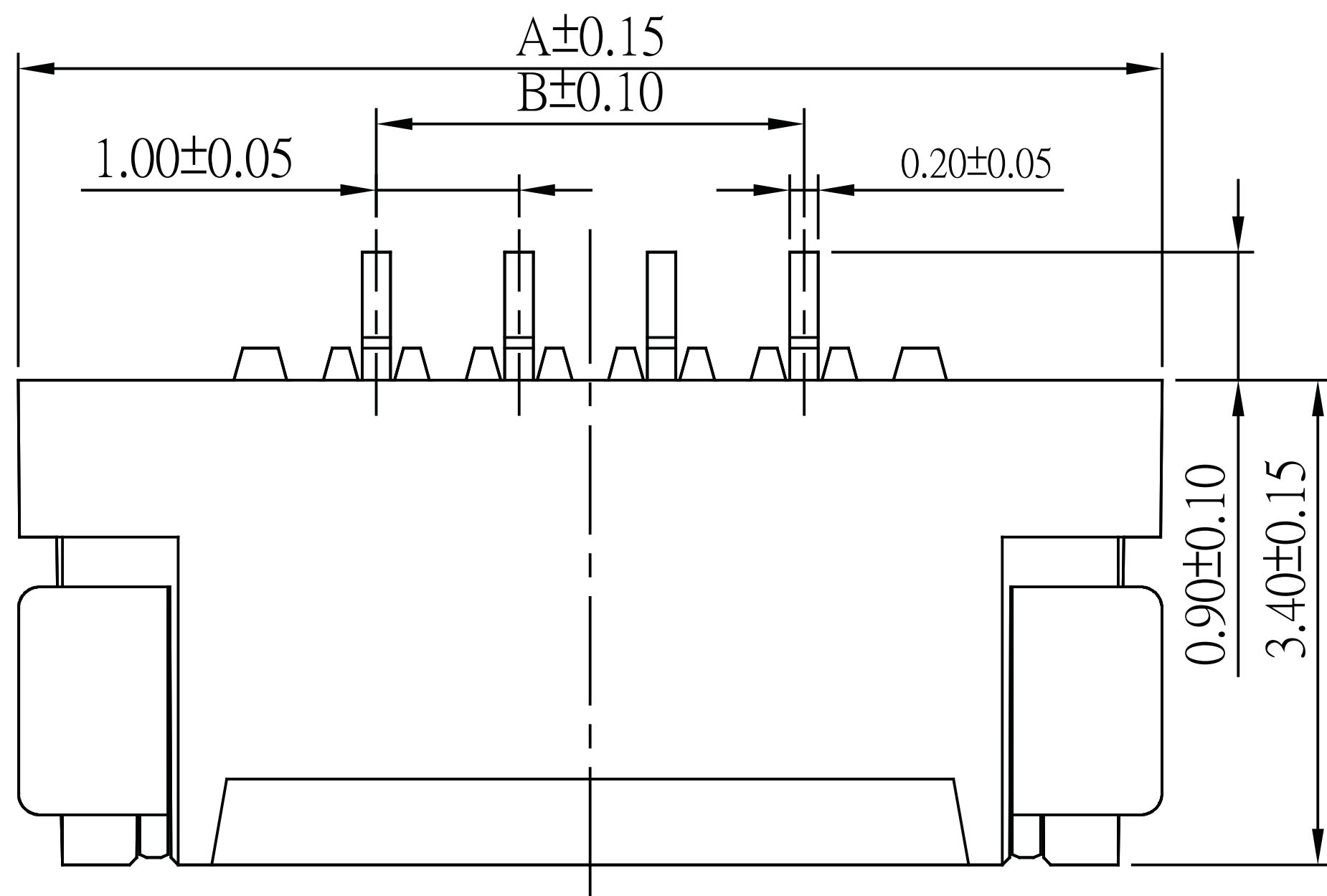
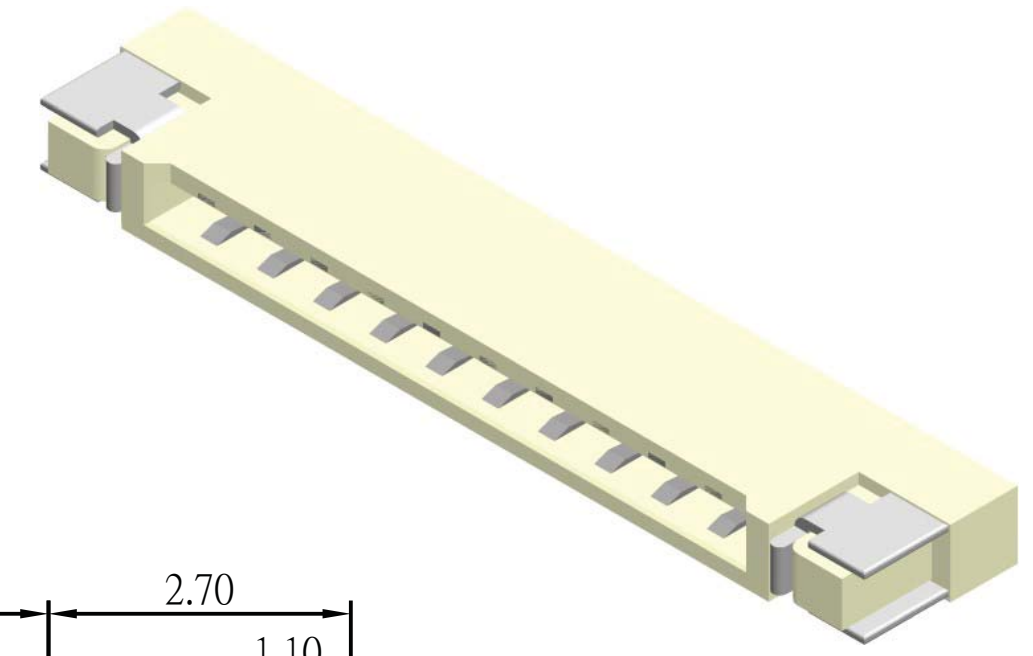
FPC/FFC 1.0mm Non ZIF SMT Type Side Entry Part No.: FPC3BMR1A-XX-U 4-14

SPECIFICATION

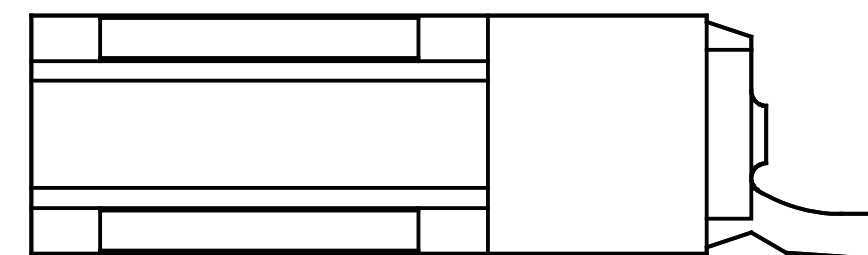
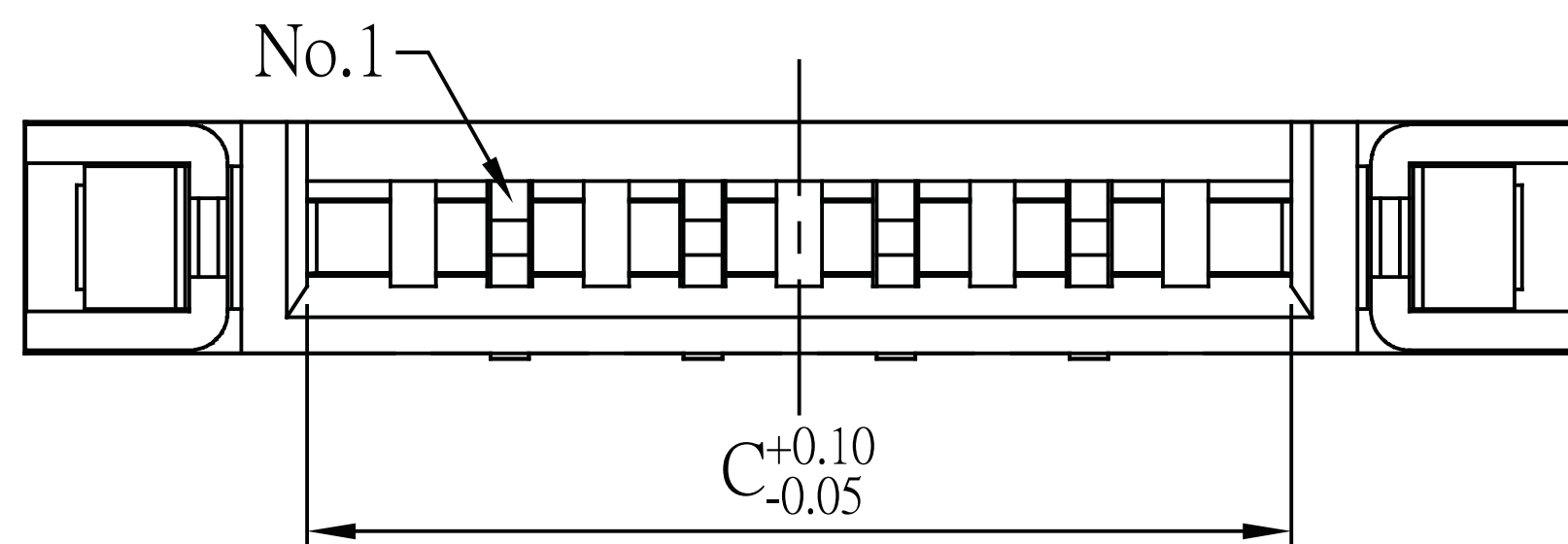
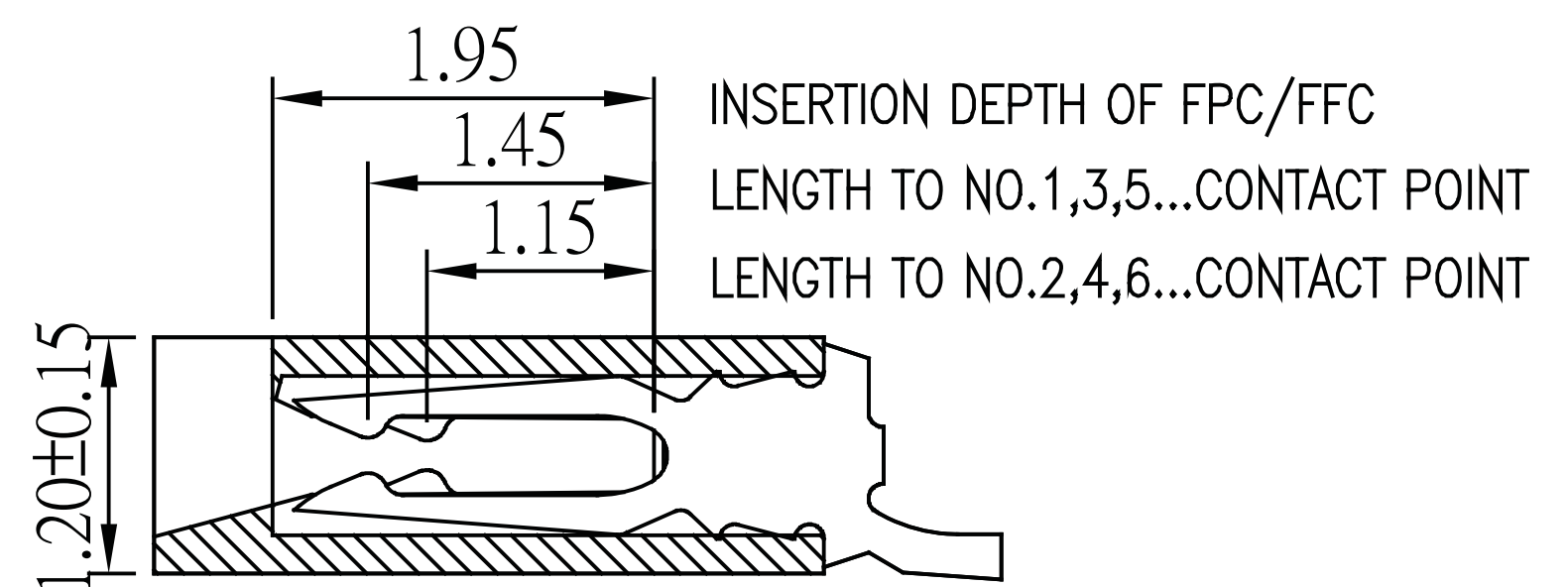
Current Rate: 0.5 AMP
 Insulation Resistance: 500MΩ Min.
 Contact Resistance: 30mΩ Max.
 Dielectric Voltage: 500V AC for one minute
 Operation Temperature: -55°C to +85°C

MATERIAL

Insulator: Polyester, UL 94V-0
 ©Standard: Nylon 46
 Contact Pin: Copper Alloy
 Contact Plated: Tin Plated



Recommended PCB Layout
(PCB TOLERANCE ±0.05)



No. of Contacts	Dimensions			No. of Contacts	Dimensions		
	A	B	C		A	B	C
04	8.03	4.00	5.10	15	19.03	15.00	16.10
05	9.03	5.00	6.10	16	20.03	16.00	17.10
06	10.03	6.00	7.10	17	21.03	17.00	18.10
07	11.03	7.00	8.10	18	22.03	18.00	19.10
08	12.03	8.00	9.10	19	23.03	19.00	20.10
09	13.03	9.00	10.10	20	24.03	20.00	21.10
10	14.03	10.00	11.10	21	25.03	21.00	22.10
11	15.03	11.00	12.10	22	26.03	22.00	23.10
12	16.03	12.00	13.10	23	27.03	23.00	24.10
13	17.03	13.00	14.10	24	28.03	24.00	25.10
14	18.03	14.00	15.10				

ORDER INFORMATION

