

# FPC/FFC Connectors

## FPC/FFC 1.0mm ZIF SMT Type Side Entry

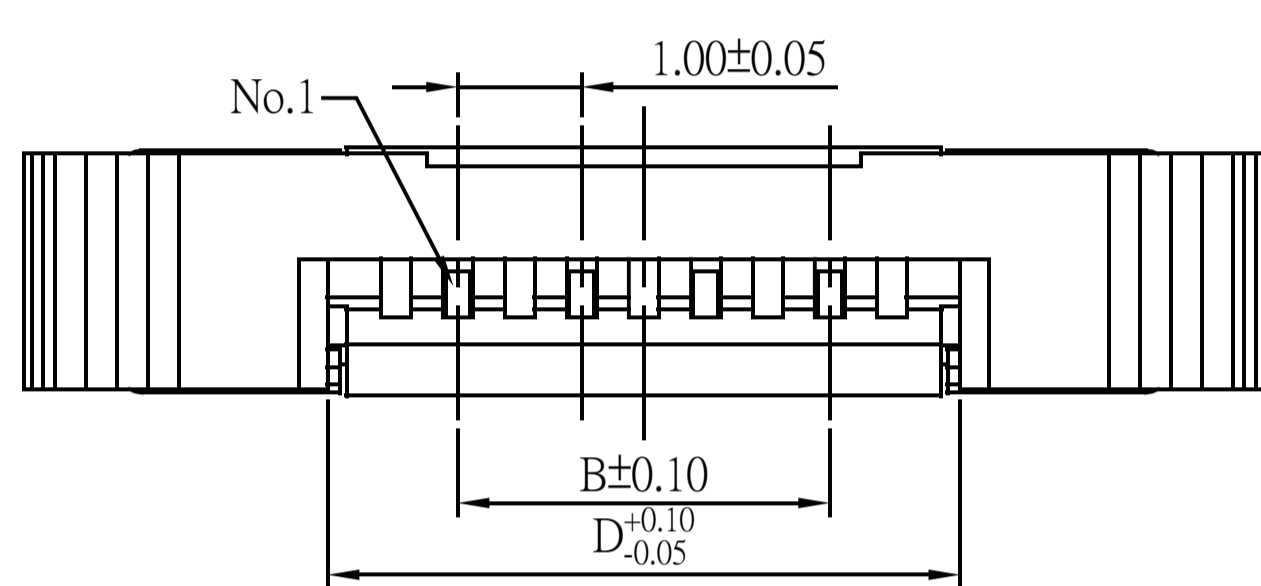
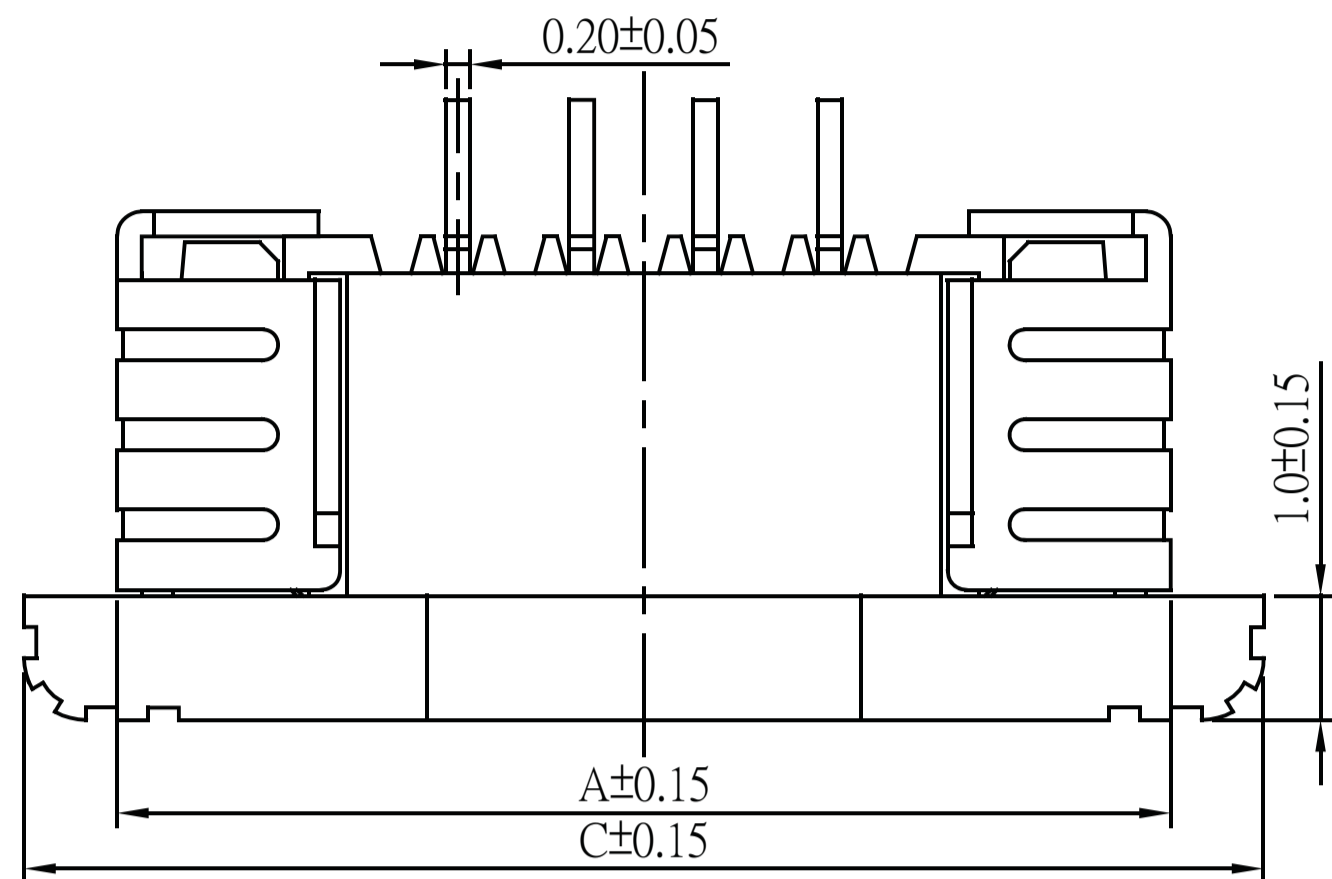
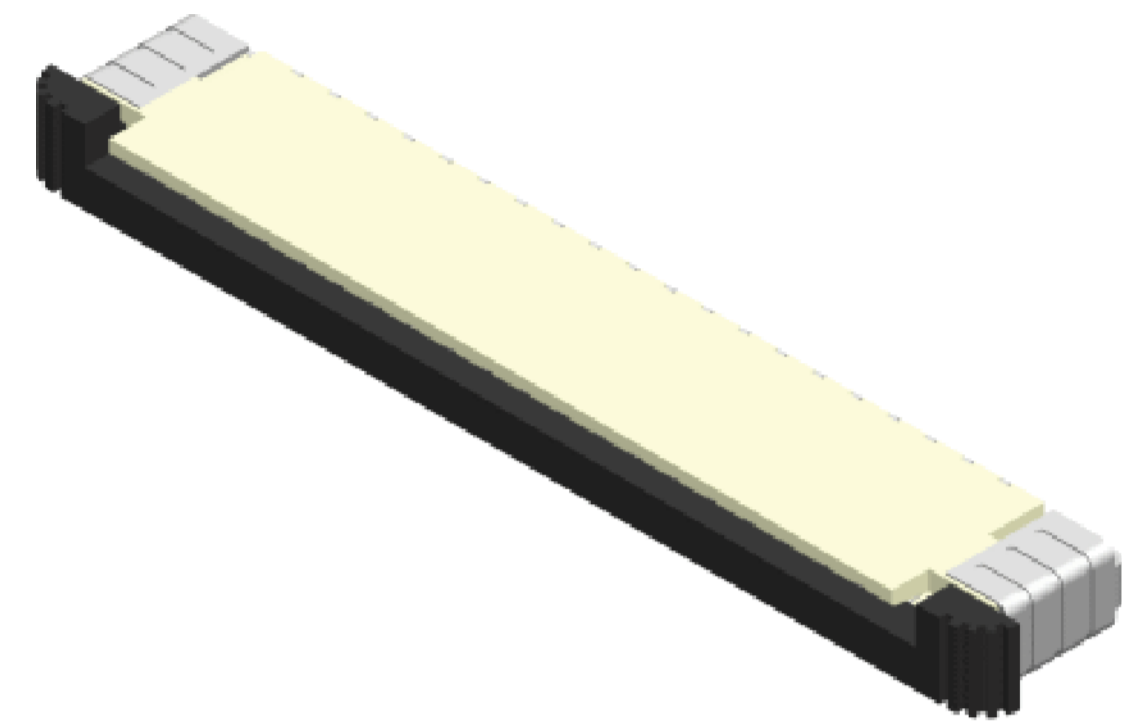
Part No.: FPC3AMR1-XX-U 4-10

### SPECIFICATION

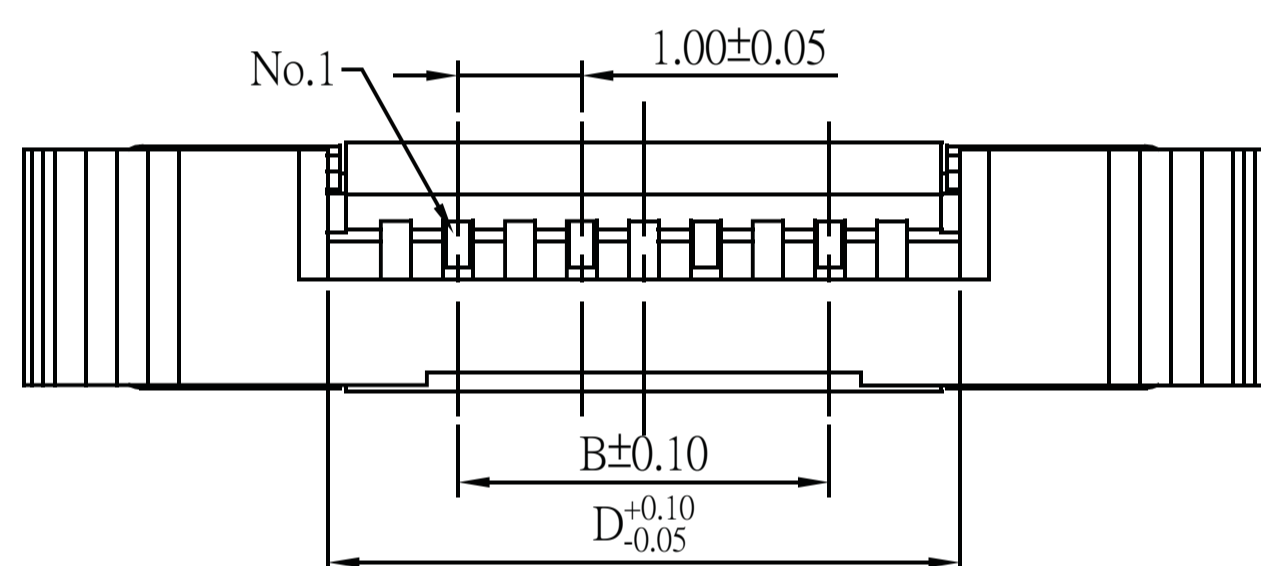
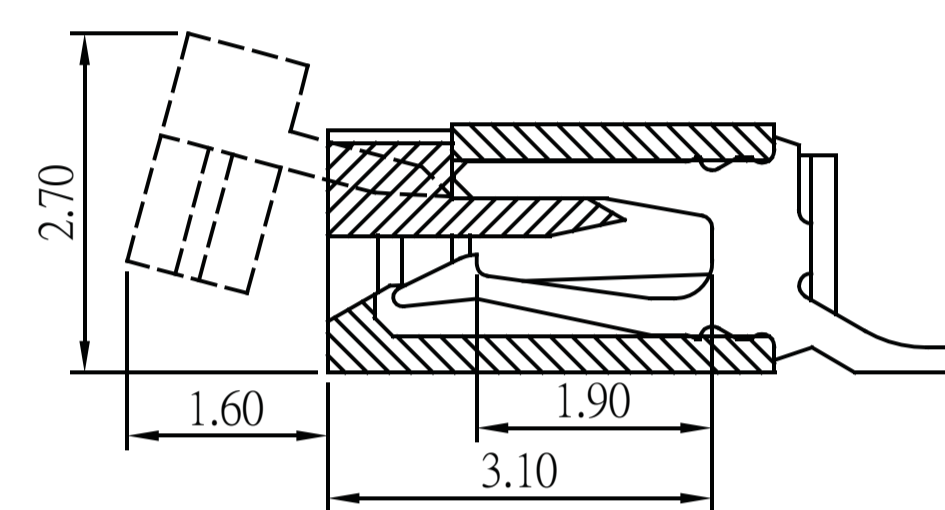
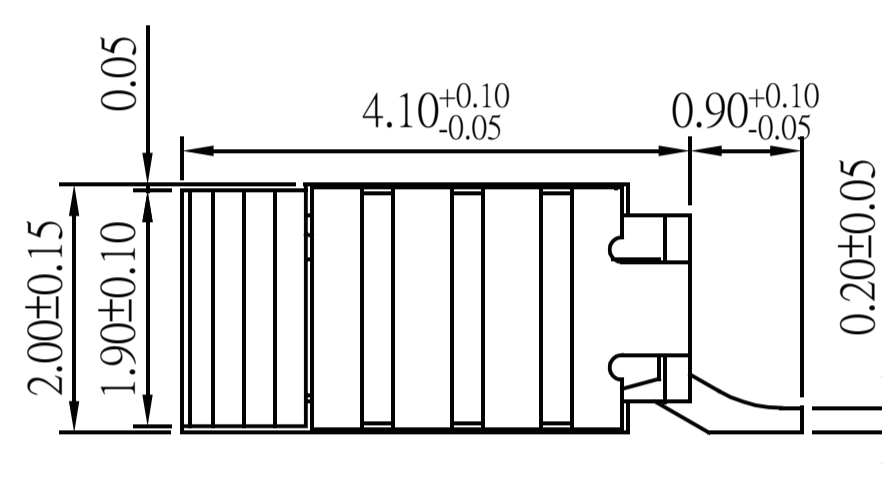
Current Rate: 0.5 AMP  
Insulation Resistance: 500MΩ Min.  
Contact Resistance: 30mΩ Max.  
Dielectric Voltage: 100V AC for one minute  
Operation Temperature: -55°C to +85°C

### MATERIAL

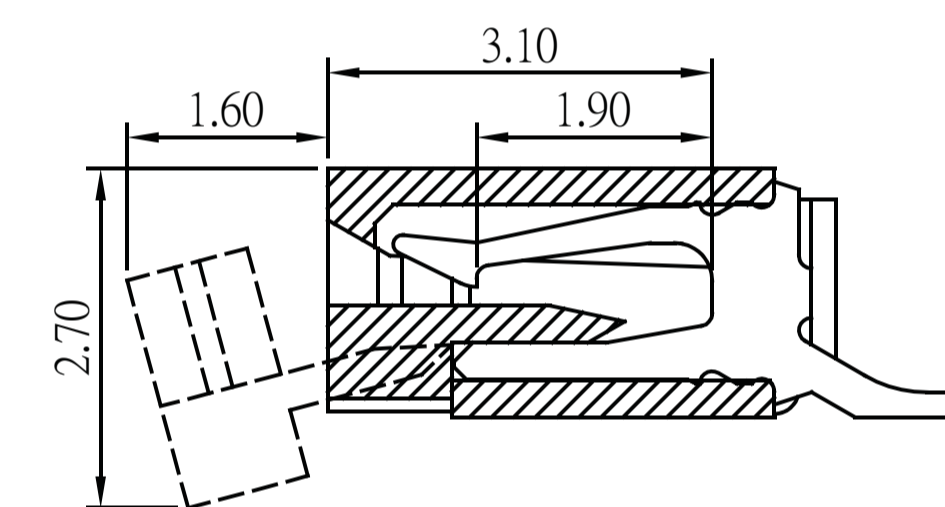
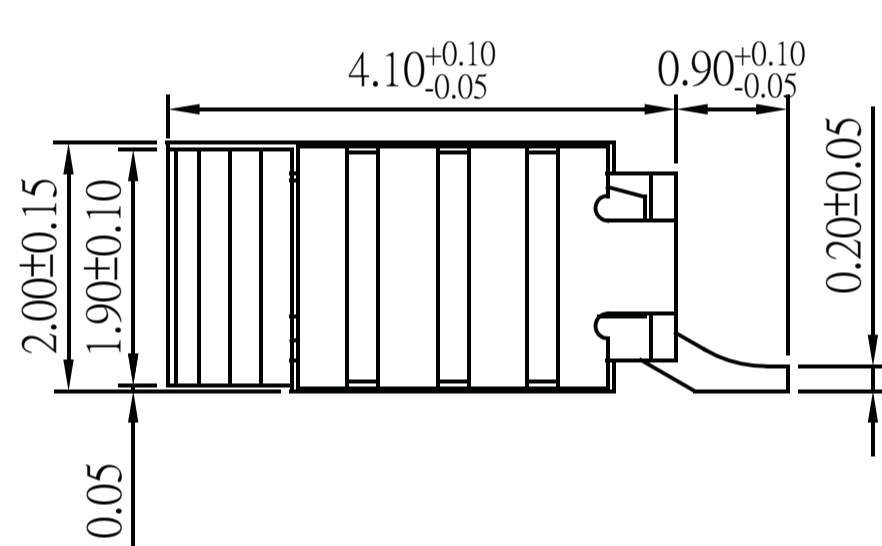
Insulator: Polyester, UL 94V-0  
Standard: Nylon 46  
Contact Pin: Copper Alloy  
Contact Plated: Tin Plated



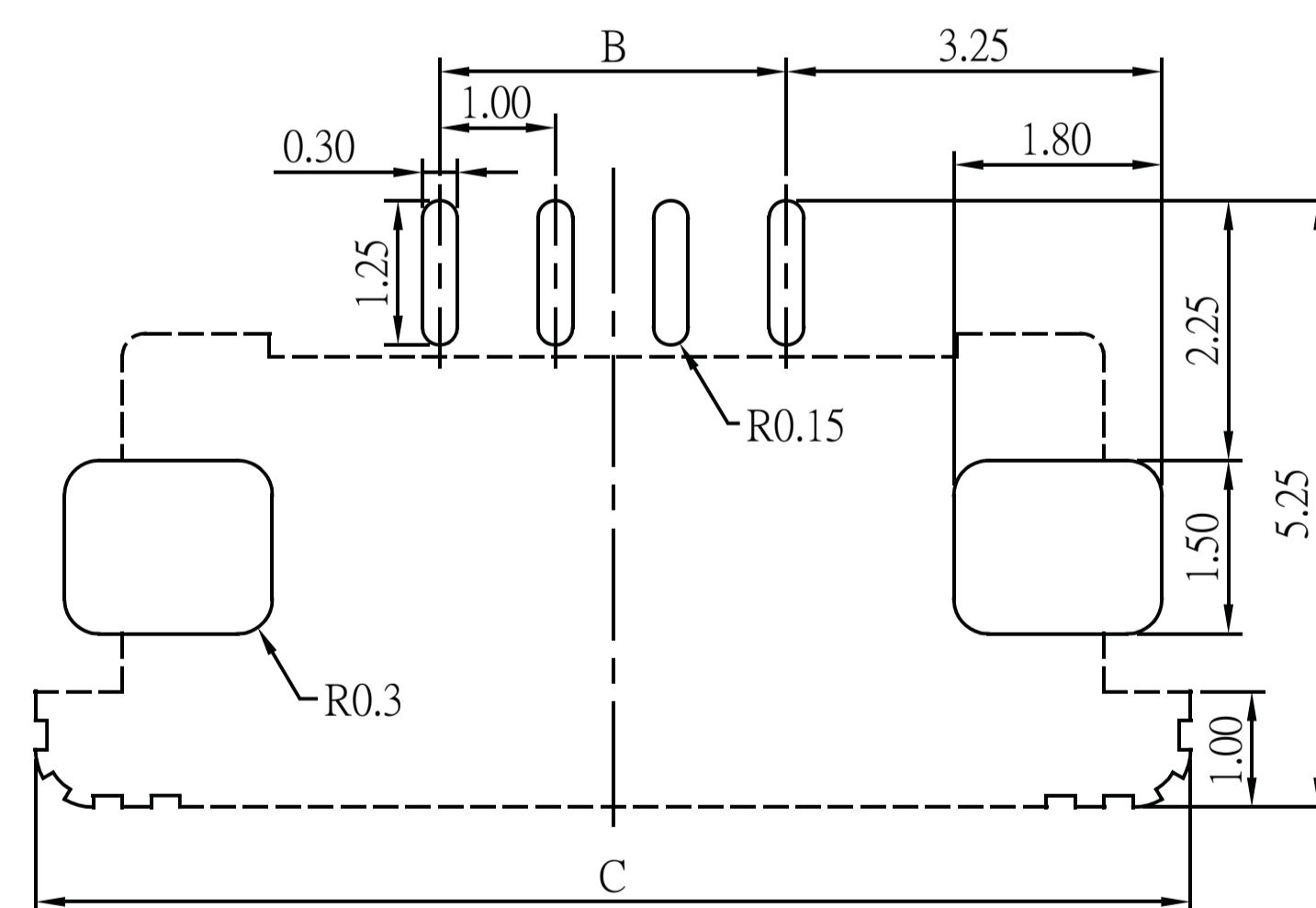
Bottom Contact



Upper Contact



No. of Contacts	Dimension			
	A	B	C	D
4	8.50	3.00	10.00	5.10
5	9.50	4.00	11.00	6.10
6	10.50	5.00	12.00	7.10
7	11.50	6.00	13.00	8.10
8	12.50	7.00	14.00	9.10
9	13.50	8.00	15.00	10.10
10	14.50	9.00	16.00	11.10
11	15.50	10.00	17.00	12.10
12	16.50	11.00	18.00	13.10
13	17.50	12.00	19.00	14.10
14	18.50	13.00	20.00	15.10
15	19.50	14.00	21.00	16.10
16	20.50	15.00	22.00	17.10
17	21.50	16.00	23.00	18.10
18	22.50	17.00	24.00	19.10
19	23.50	18.00	25.00	20.10
20	24.50	19.00	26.00	21.10
21	25.50	20.00	27.00	22.10
22	26.50	21.00	28.00	23.10
23	27.50	22.00	29.00	24.10
24	28.50	23.00	30.00	25.10



Recommended PCB Layout  
(PCB TOLERANCE ±0.05)

## ORDER INFORMATION

