

FPC/FFC Connectors

FPC/FFC 0.5mm Non ZIF SMT Type Side Entry

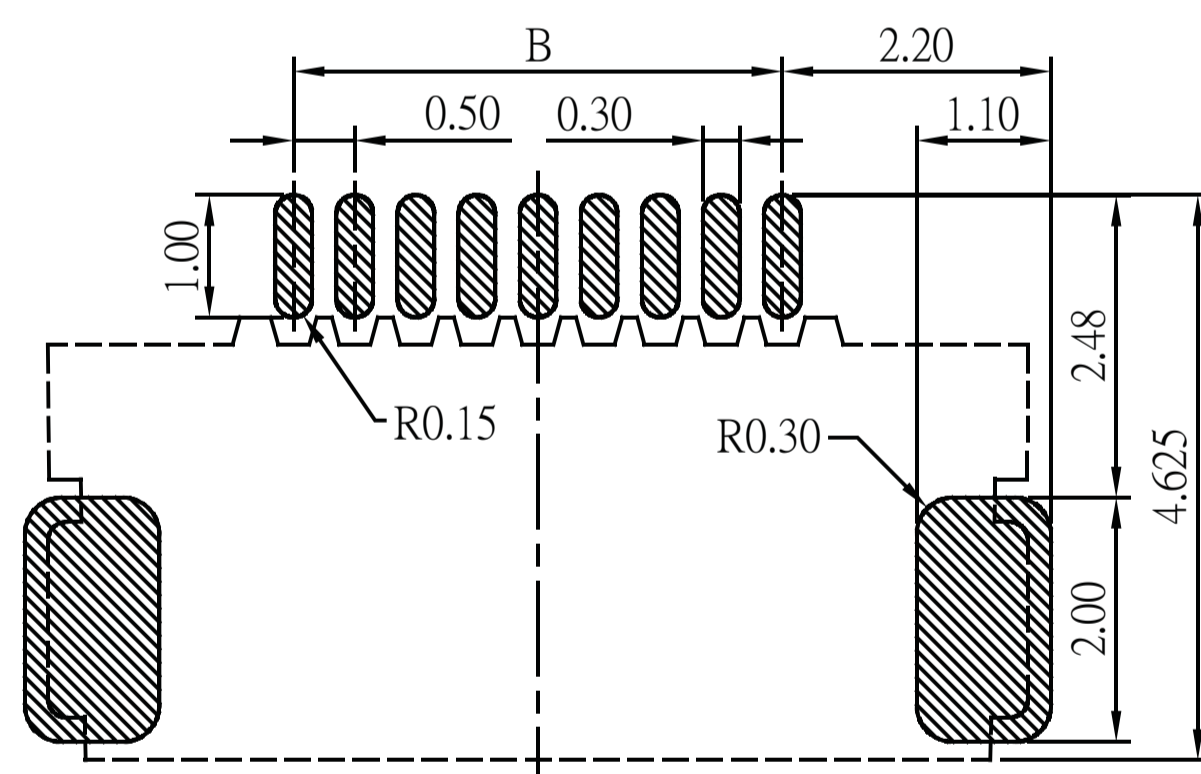
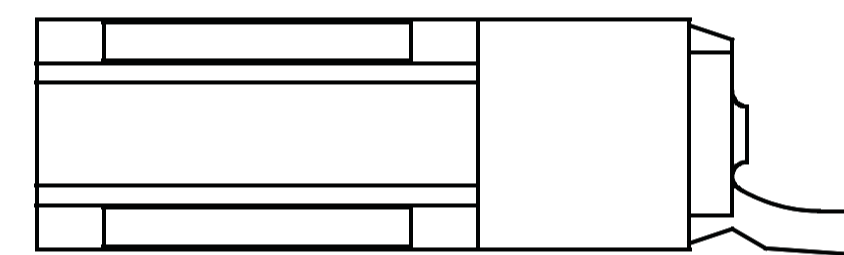
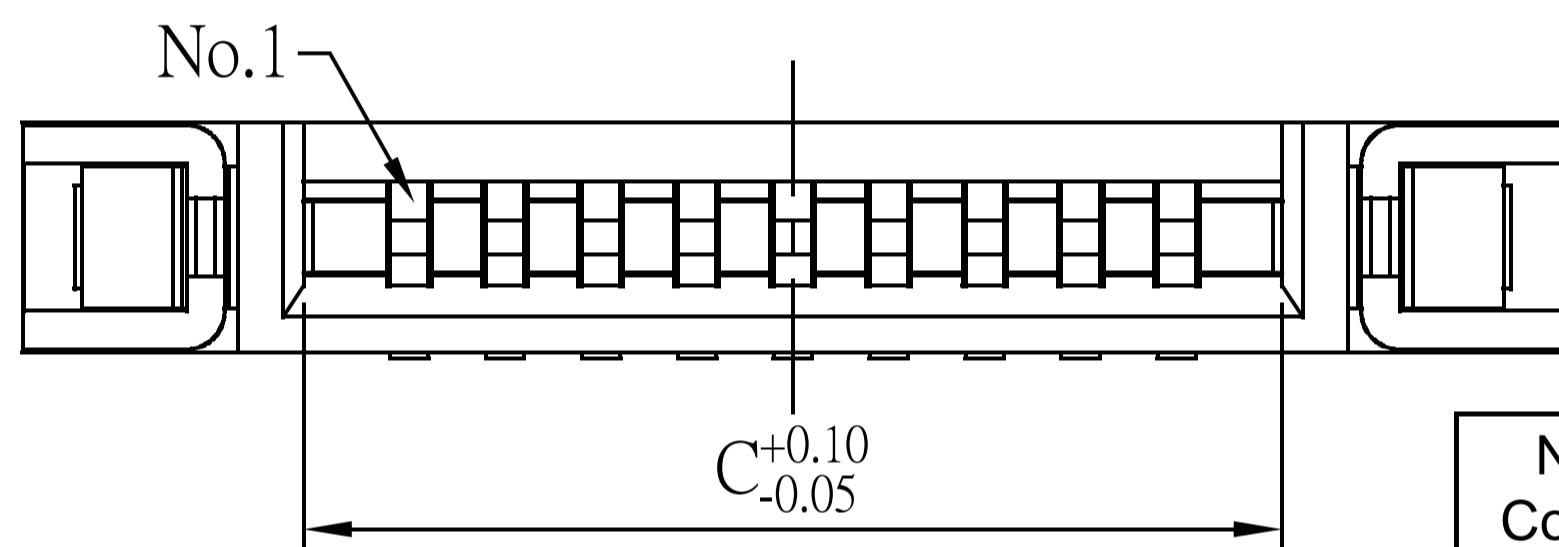
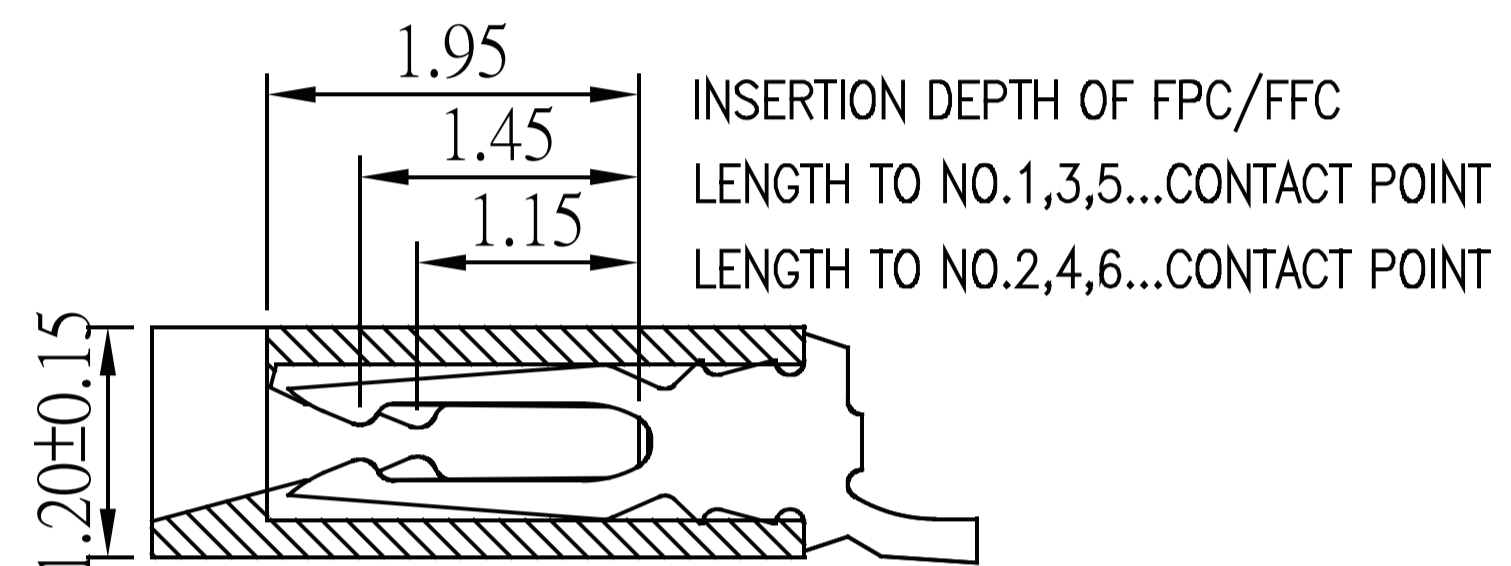
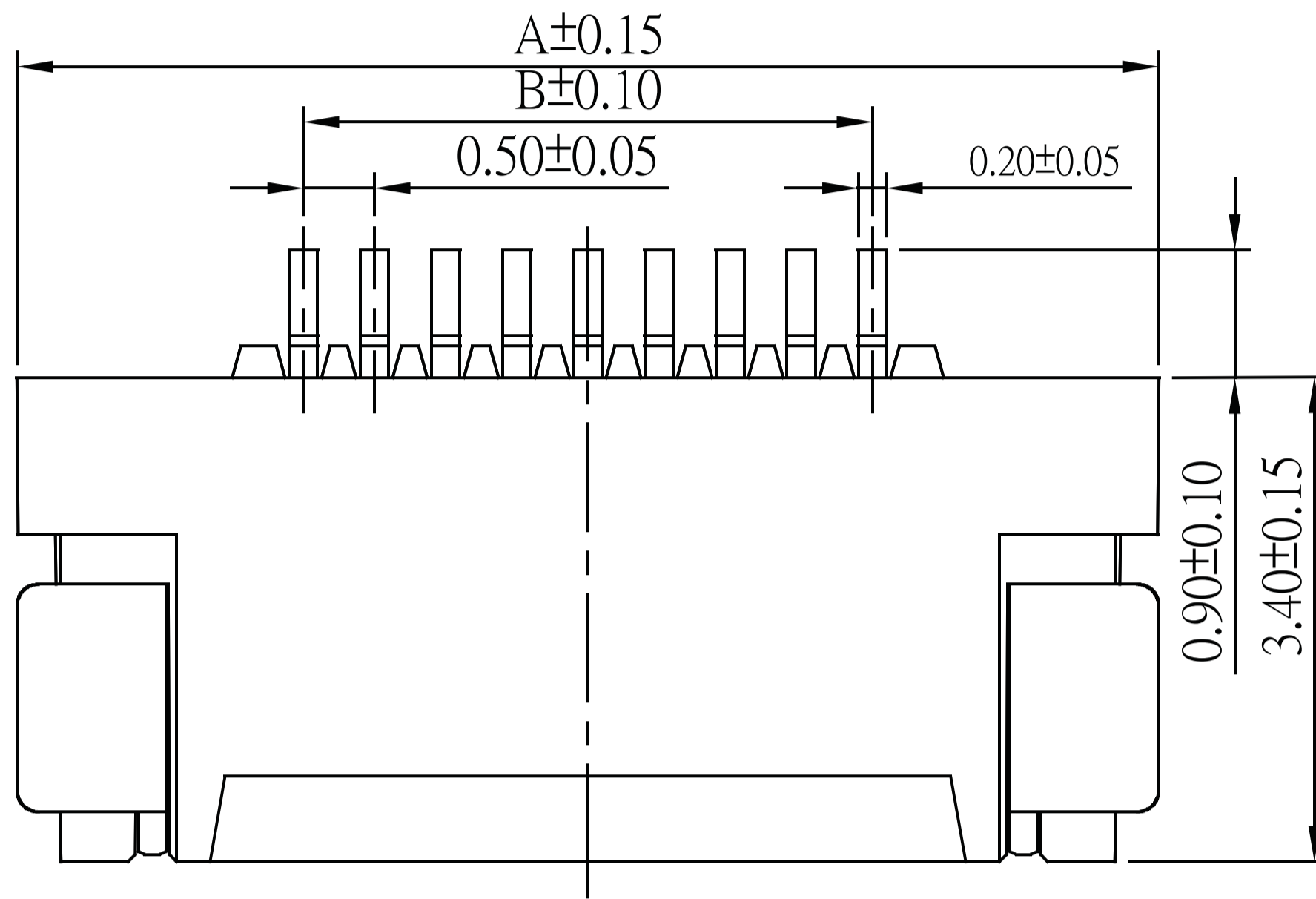
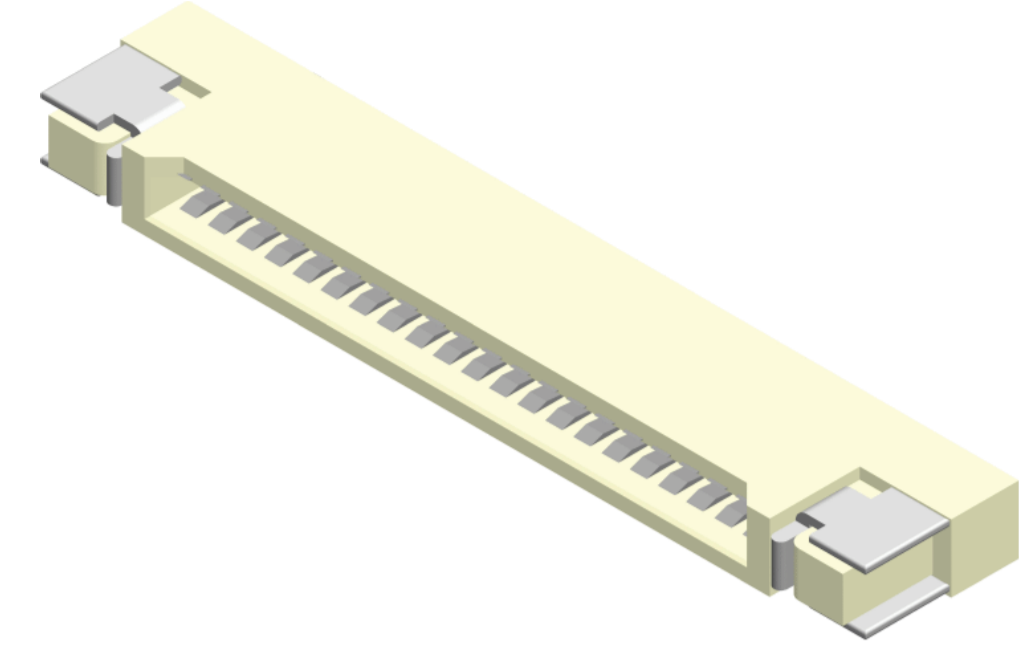
Part No.: FPC4BMR1A-XX-U 4-8

SPECIFICATION

Current Rate: 0.5 AMP
Insulation Resistance: 50MΩ Min.
Contact Resistance: 20mΩ Max.
Dielectric Voltage: 250V AC for one minute
Operation Temperature: -55°C to +85°C

MATERIAL

Insulator: Polyester, UL 94V-0
©Standard: Nylon 46
Contact Pin: Copper Alloy
Contact Plated: Tin Plated



Recommended PCB Layout
(PCB TOLERANCE ±0.05)

No. of Contacts	Dimensions			No. of Contacts	Dimensions		
	A	B	C		A	B	C
04	5.53	1.50	2.60	28	17.53	13.50	14.60
05	6.03	2.00	3.10	29	18.03	14.00	15.10
06	6.53	2.50	3.60	30	18.53	14.50	15.60
07	7.03	3.00	4.10	31	19.03	15.00	16.10
08	7.53	3.50	4.60	32	19.53	15.50	16.60
09	8.03	4.00	5.10	33	20.03	16.00	17.10
10	8.53	4.50	5.60	34	20.53	16.50	17.60
11	9.03	5.00	6.10	35	21.03	17.00	18.10
12	9.53	5.50	6.60	36	21.53	17.50	18.60
13	10.03	6.00	7.10	37	22.03	18.00	19.10
14	10.53	6.50	7.60	38	22.53	18.50	19.60
15	11.03	7.00	8.10	39	23.03	19.00	20.10
16	11.53	7.50	8.60	40	23.53	19.50	20.60
17	12.03	8.00	9.10	41	24.03	20.00	21.10
18	12.53	8.50	9.60	42	24.53	20.50	21.60
19	13.03	9.00	10.10	43	25.03	21.00	22.10
20	13.53	9.50	10.60	44	25.53	21.50	22.60
21	14.03	10.00	11.10	45	26.03	22.00	23.10
22	14.53	10.50	11.60	46	26.53	22.50	23.60
23	15.03	11.00	12.10	47	27.03	23.00	24.10
24	15.53	11.50	12.60	48	27.53	23.50	24.60
25	16.03	12.00	13.10	49	28.03	24.00	25.10
26	16.53	12.50	13.60	50	28.53	24.50	25.60
27	17.03	13.00	14.10				

ORDER INFORMATION

